

## Technical Specification

## 'T' Series Pulse Jet Valves



T Series

### Description

High performance diaphragm valve with threaded ports. Available with integral pilot or as remotely piloted valve. Outlet at 90° to inlet.

### Suitable for

Dust collector applications, in particular for reverse pulse jet filter cleaning including bag filters, cartridge filters, envelope filters, ceramic filters, and sintered metal fibre filters.

### Construction

**Body:** Aluminium (diecast)

**Ferrule:** 304 SS

**Armature:** 430FR SS

**Seals:** Nitrile or Viton (reinforced)

**Spring:** 304 SS

**Screws:** 302 SS

**Diaphragm Seat:** PA-6 (standard), Viton coated mild steel or High Density PE  
*Refer to Q Series Solenoid product data sheet for solenoid construction details.*

### Operation

#### Recommended

**on time range:** 50-500ms

#### Recommended time

**between pulses:** 1 minute or greater

### Maintenance

Before conducting any maintenance activity on the system ensure that components are fully isolated from pressure and power supplies. Pressure and power should not be reapplied until the valve has been fully assembled.

Diaphragm and pilot inspection should be conducted annually.

### Approvals

Integrally piloted valves meet the requirements of:

- C-Tick
- EMC (89/336/CE)

### Installation

1. Prepare supply and blowtube pipes to suit valve specification. Avoid installing valves underneath the tank.
2. Ensure tank and pipes are free from dirt, rust or other particulate.
3. Ensure supply air is clean and dry.
4. Mount valves to inlet pipes and blowtube to valves, ensuring no excess thread sealant can enter the valve itself.
5. Make electrical connections to solenoid or connect RCA pilot port to pilot valve (RCA valves only).
6. Apply moderate pressure to system and check for installation leaks.
7. Fully pressurise system.
8. Test fire and listen for proper actuation and crisp pulse noise.

### Weights

Size	Integral Pilot (CA) Kg (lbs)	Remote Pilot (RCA) Kg (lbs)	Size	Integral Pilot (CA) Kg (lbs)	Remote Pilot (RCA) Kg (lbs)
10	NA	0.06 (0.14)	45	1.50 (3.30)	1.28 (2.83)
20	0.60 (1.31)	0.38 (0.83)	50	2.89 (6.38)	2.68 (5.92)
25	0.73 (1.61)	0.51 (1.13)	62	3.31 (7.30)	3.09 (6.82)
35	1.04 (2.28)	0.83 (1.83)	76	4.77 (10.52)	4.56 (10.04)

### Maintenance Kits

Model	Nitrile	Viton	Low Temperature -60°C (-76°F) Min.	Includes
RCA10T	K1001	K1002	NA	Diaphragm kits include main and secondary diaphragms (where required) and all springs. *These kits are for discontinued valves.
CA/RCA20T	K2000	K2007	NA	
CA/RCA25T	K2501	K2503	K2504	
CA/RCA32T*	K2500	---	NA	
CA/RCA35T	K3500	K3501	K3502	
CA/RCA40T*	K4000	---	NA	
CA/RCA45T	K4502	K4503	K4522	
CA/RCA50/62T	K5004	K5000	NA	
CA/RCA76T	K7600	K7601	NA	
Pilot repair kit	K0380	K0384	NA	

### Product Characteristics and Performance

Nom. Size	Port Size		Number of diaphragms	Flow	
	mm	in		Kv	Cv
10	10	3/8	1	2.5	2.9
20	20	3/4	1	12	14
25	25	1	1	20	23
35	40	1.5	1	36	42
45	40	1.5	2	44	51
50	50	2	2	91	106
62	62	2.5	2	117	136
76	76	3	2	144	167

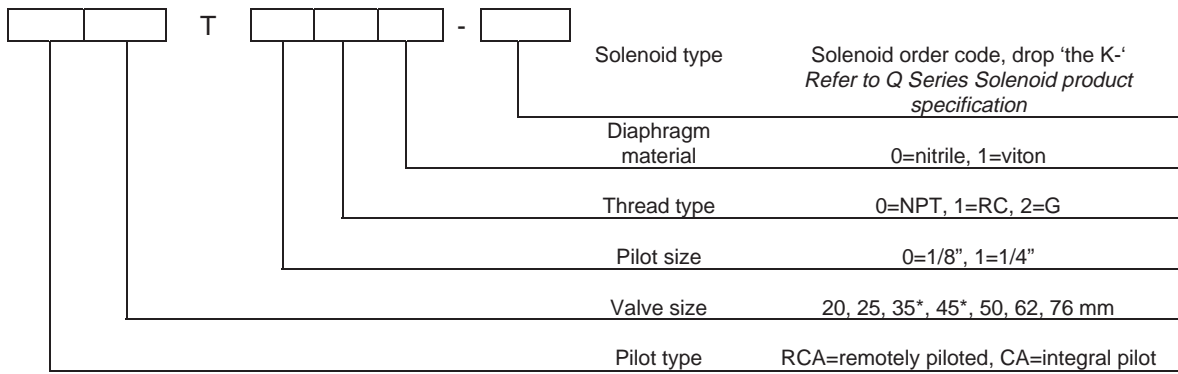
**Pressure Range:** 30(5) - 860(125) kPa(Psi)

**Temperature Range:** Nitrile Seals: -40°C (-40°F) to 82°C (179.6°F)

Viton Seals: -29°C (-20.2°F) to 232°C (449.6°F)

# Technical Specification - 'T' Series Pulse Jet Valves

## Order Code



\*Note that the 35 & 45 share the same port sizes.

## Order Code RCA10T Series

RCA10-6T/645 (1/4 NPT)  
RCA10-6T/669 (1/4 BSPT)

Examples: CA50T010-300

2" threaded port valve with 1/8" pilot, 2" RC port threads, nitrile seals and 200/240VAC integral pilot with DIN socket terminals.

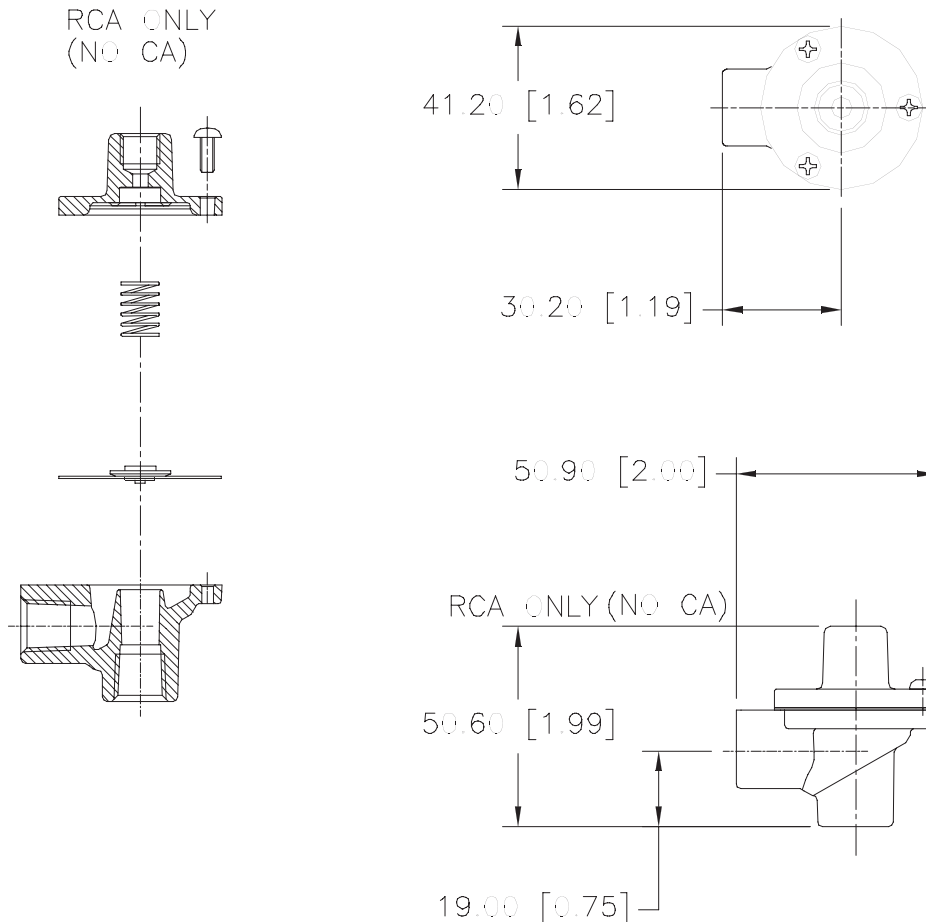
RCA25T001

1" threaded port valve with 1/8" NPT remote pilot port, 1" NPT port threads and viton seals.

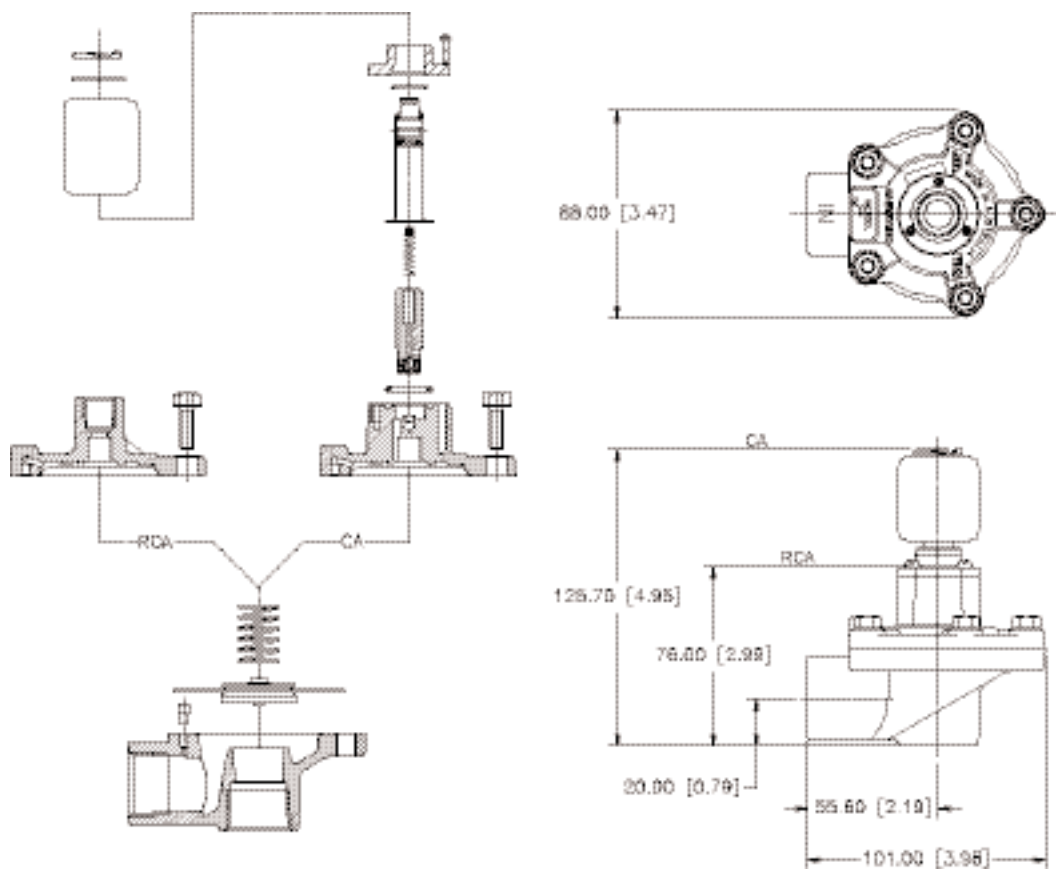
## Dimensions

(Dimensions in mm and [inches])

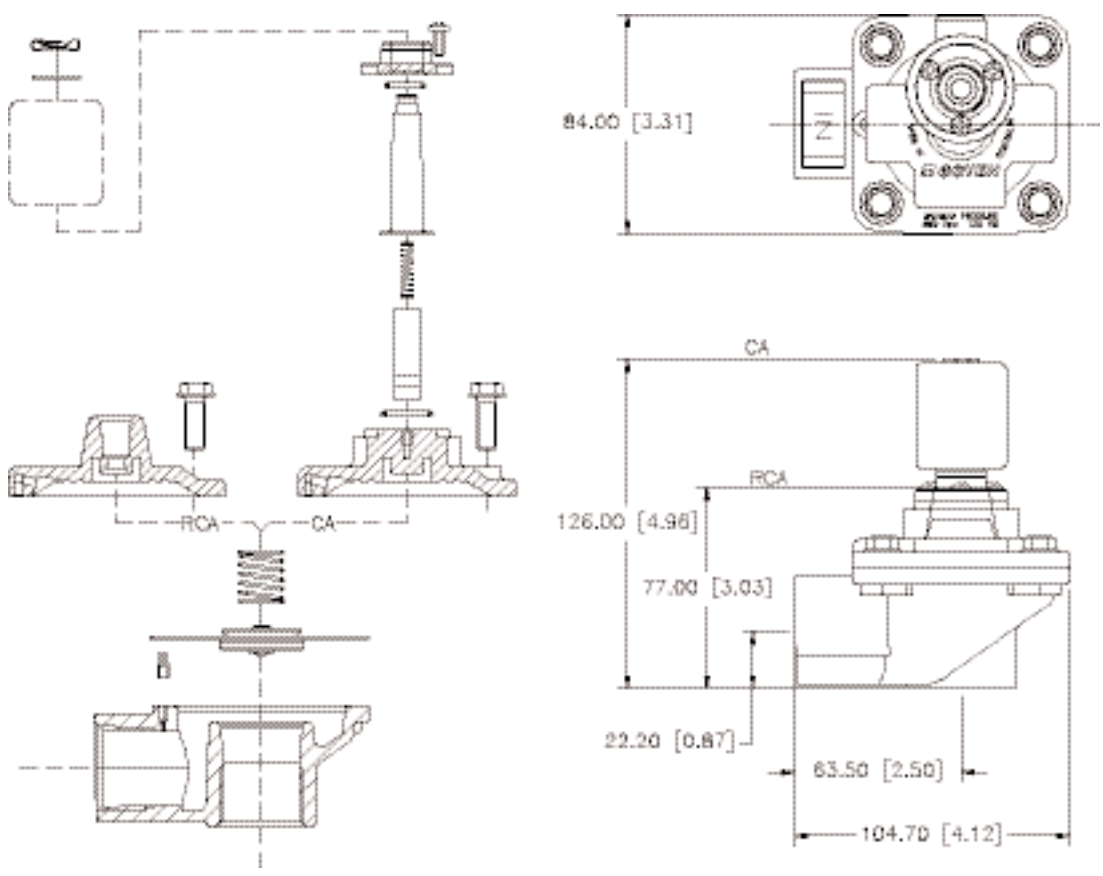
### RCA10T



CA/RCA20T

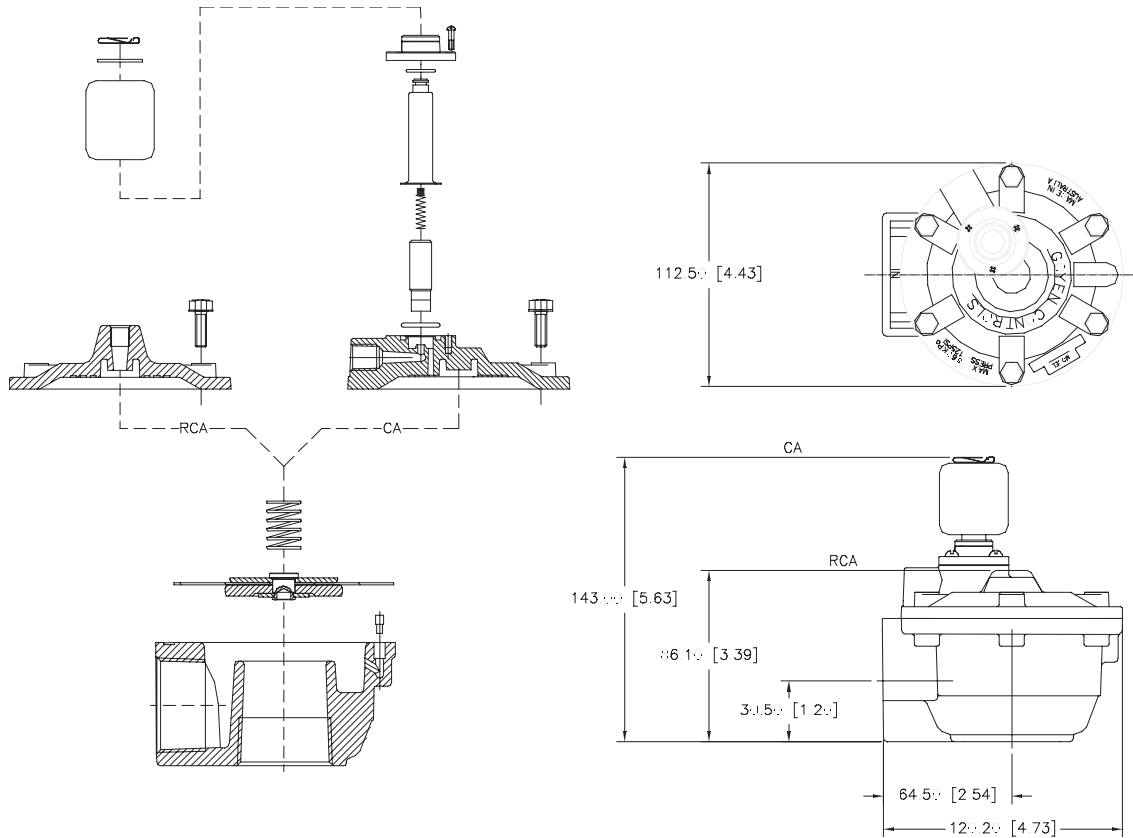


CA/RCA25T

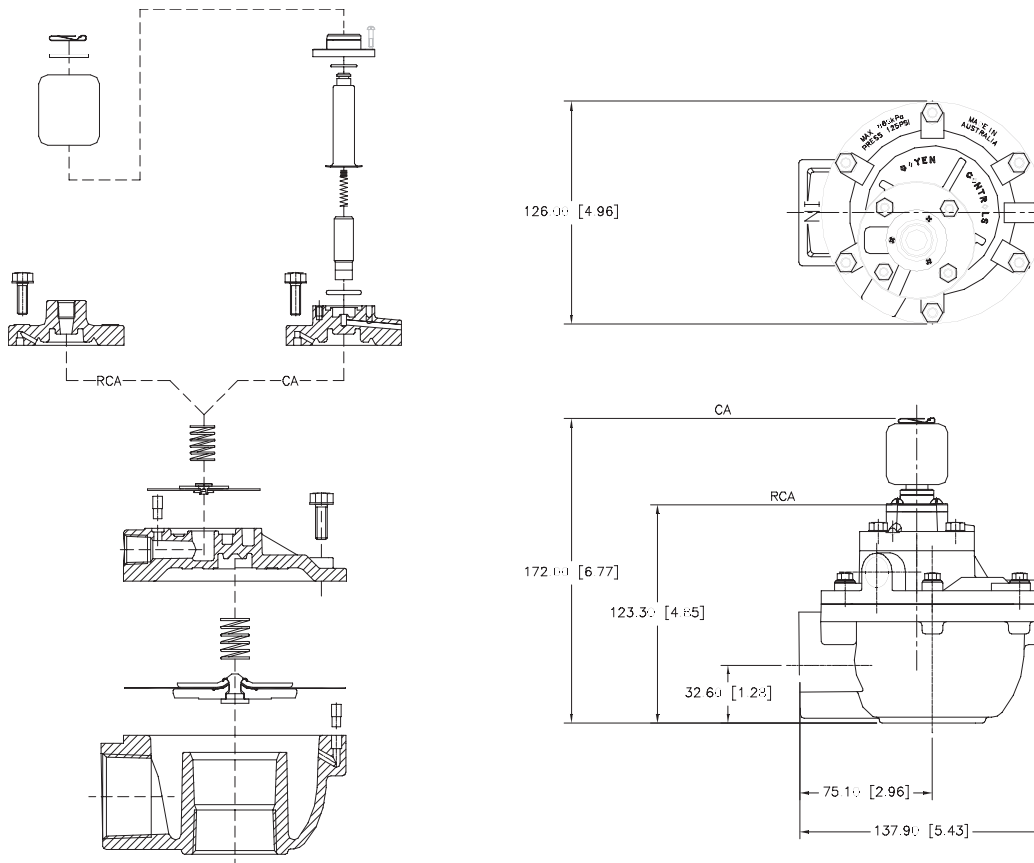


# Technical Specification - 'T' Series Pulse Jet Valves

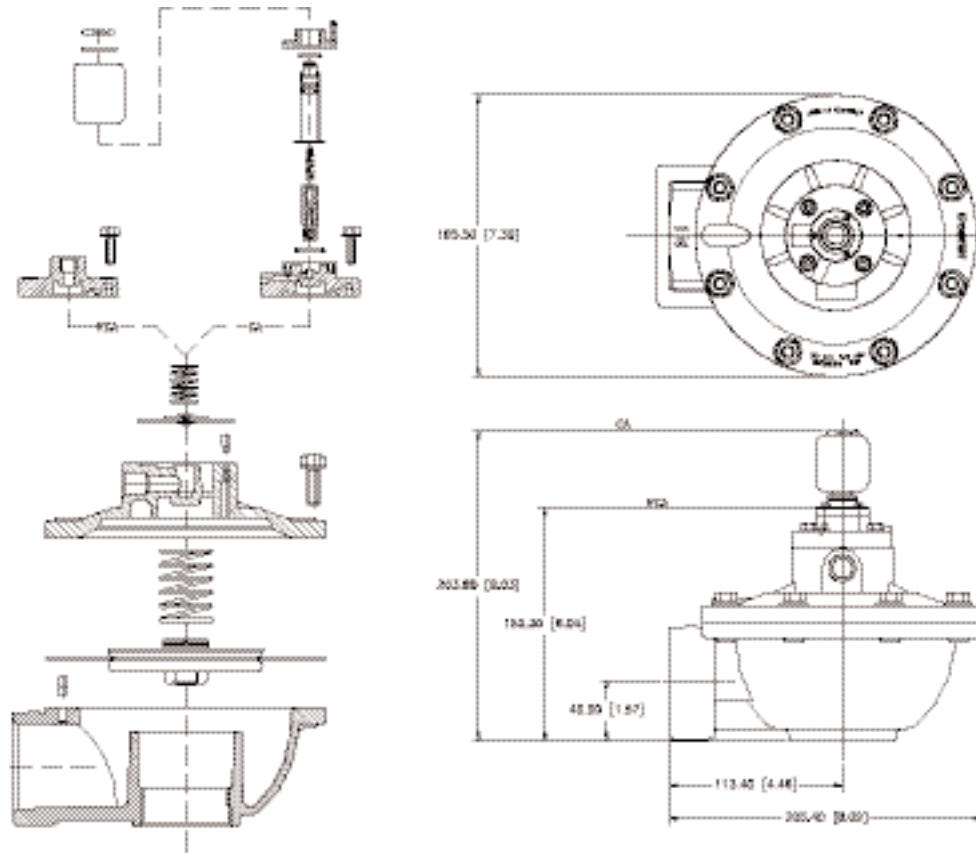
## CA/RCA35T



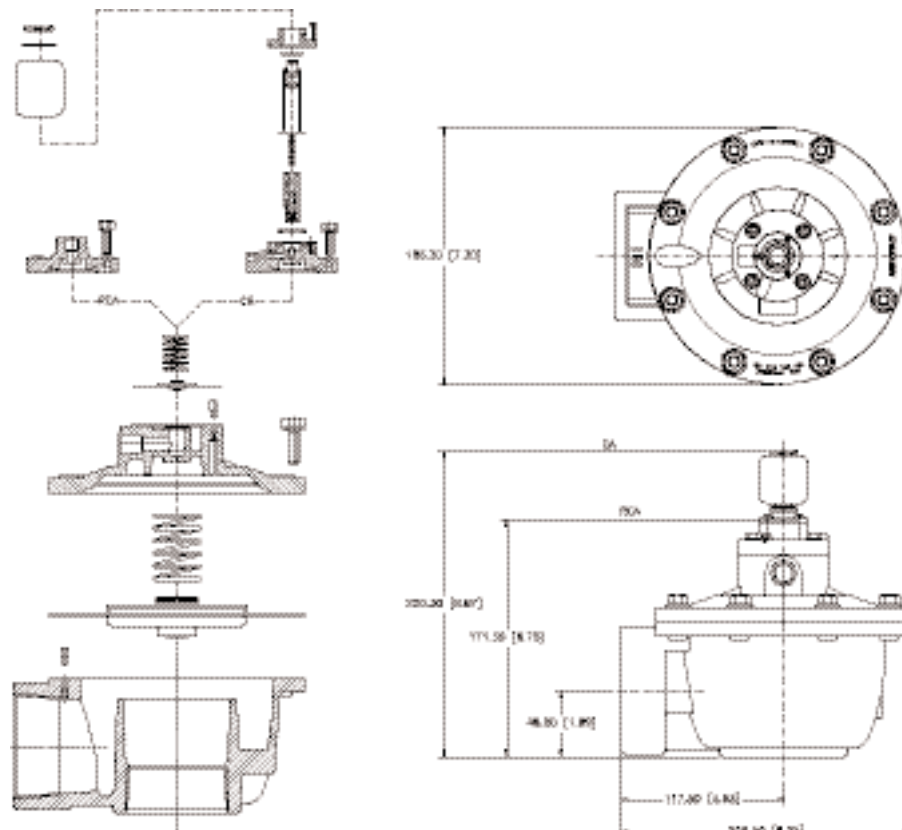
## CA/RCA45T



CA/RCA50T



CA/RCA62T



# Technical Specification - 'T' Series Pulse Jet Valves

## CA/RCA76T

