

INDUSTRIAL ELECTRICAL OVENS





Our ovens meet the requirements of NFPA86. They are class B ovens, i.e. they operate at atmospheric pressure. The ovens must not contain any volatile, flammable, or combustible material otherwise additional features must be added in order to meet the requirements for class A ovens.

The following list states the standard specifications of our models FE500-xxxx. Other additional features are also available as options.

## *Electrical Specifications*

- Operating on 600V, 3-phases, 60Hz;
- Completely wired and tested;

### Control Panel:

- Terminals for Incoming Power ( disconnect not included );
- Temperature Controller 1/16 din with type J Thermocouple;
- Heating and Ventilation Switches;
- Pilot Light;
- Heating Elements protected in the event of Ventilation Failure or High Temperature;
- Control Panel Nema 1 meeting the CSA Requirements.





## ***Mechanical specifications***

### Blower

- CFM as specified for each model, 2" w.g. @ 70F;
- Selected *AIREX* SXB Model , class 2S;
- Backward Inclined;
- Shaft Cooler.

### Motor

- High Efficiency TEFC;
- Between 1.5 et 10 HP;
- 1800 or 3600 RPM depending on model;
- OSHA Guards;
- V-belts type B.

### Heating Elements

- Incoloy 840 Tubular Elements;
- W Shaped;
- Insulated Panel;
- Removable Casing.

### Insulation

- Mineral Wool *ROXUL* RHF60;
- Maximum Service Temperature of 1200°F;
- 4" Insulation for Walls and Ceiling, 2" Floor Insulation.

### Gasket

- Glass Fibre High Temperature Gasket with Wiremesh Inconel Insert;
- Maximum Service Temperature 1000°F.

### Casing

- External Painted : Steel ASTM36 20GA;
- Internal : Galvanized Steel 18GA;
- Internal Reinforcement : Steel ASTM36 18GA;
- Reinforcements are placed at Insulation Extremities, i.e. every 24". Truck Wheel Guide;
- Tracks Included.

### Paint

- Phosphate Surface Preparation;
- Two Polyurethane Coatings.

### Handles/Hinges

- *BRIXON* 2PC1;
- 3 to 4 Industrial Caliber Hinges.





## *Optional Features*

### Electrical features

- Alarm Relay;
- Alarm Strobe Light;
- Alarm Buzzer;
- Open Door Detector;
- Circular Chart Recorder;
- Digital Daily Time Switch , 7 days 24 hours;
- Hour Meter for Blower;
- Incoming Disconnect with Fuses;
- Control Panel Nema 12;
- Temperature Controller 1/8 din or ¼ din;
- Programmable Temperature Controller;
- Power Controller SCR.

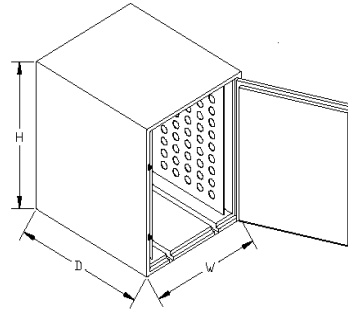
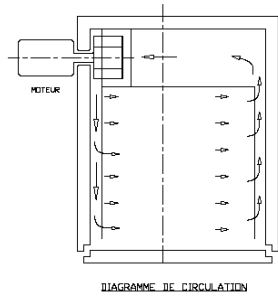
### Mechanical features

- Additional Features necessary for Class A Ovens;
- Power Exhaust;
- Explosion Hatch and Venting;
- Exhaust Stack;
- Thermocouple Guard;
- Motor Guard;
- Shaft / Bearing Guard;
- Sliding Doors;
- Automatic Door Opening Device.





## Technical data sheet – Industrial Electrical Ovens



MODEL	MAXIMUM TEMPERATURE (F)	DIMENSIONS			HEAT INPUT (KW)	BLOWER		INSULATION
		Interior (H x D x W)	Working space (pi <sup>3</sup> )	Exterior (H x D x W)		CFM	HP	
FE500-644	500	72"x48"x48"	96	78"x74"x64"	20	2083	1,5	4"
FE500-665	500	72"x72"x60"	180	78"x101"x76"	30	2805	2	4"
FE500-685	500	72"x96"x60"	240	78"x128"x76"	40	3570	3	4"
FE500-666	500	72"x72"x72"	216	78"x104"x88"	40	3570	3	4"
FE500-686	500	72"x96"x72"	288	78"x130"x92"	60	5100	5	4"
FE500-6106	500	72"x120"x72"	360	78"x158"x96"	60	6630	5	4"
FE500-6126	500	72"x144"x72"	432	78"x182"x100"	90	8500	7,5	4"
FE500-886	500	96"x96"x72"	384	102"x134"x92"	60	6630	5	4"
FE500-787	500	84"x96"x84"	392	90"x134"x104"	60	6630	5	4"
FE500-7107	500	84"x120"x84"	490	90"x158"x108"	90	8500	7,5	4"
FE500-7127	500	84"x144"x84"	588	90"x184"x112"	120	10625	7,5	4"
FE500-8108	500	96"x120"x96"	640	102"x160"x120"	120	10625	7,5	4"
FE500-8128	500	96"x144"x96"	768	102"x195"x124"	150	14875	10	4"

In order to have our product meet the highest technological standards, we reserve the right to modify its specifications without notice.

### HEAD OFFICE

8030, Metropolitan Blvd East  
 Montreal (QC) H1K 1A1  
 T : (514) 351-2303  
 F : (514) 352-5891

### ONTARIO DIVISION

6800, Kitimat Road, unit 32  
 Mississauga (ON) L5N 5M1  
 T : (905) 821-3674  
 F : (905) 821-4857

### PLANT

3025, Bernier Road  
 Drummondville (QC) J2C 6Y4  
 T : (819) 477-3030  
 F : (819) 477-3437