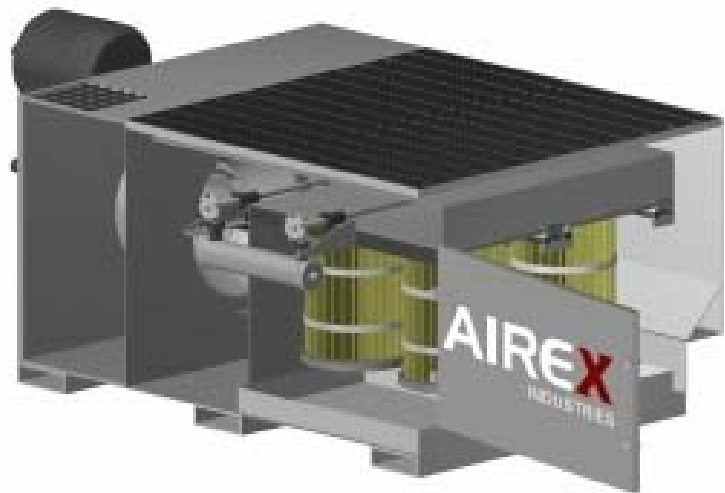


DUST COLLECTOR
DOWN DRAFT TABLE
DDT Series





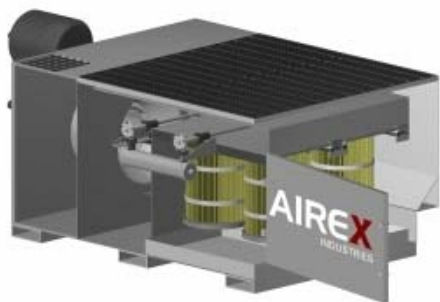
General Points

Airex Industries down draft tables are designed for industrial applications, including the removal and filtration of dust, smoke and other airborne pollutants. Hazardous materials are removed before reaching the worker breathing zone. Reverse pulse self cleaning requires virtually no maintenance while prolonging filter life and units efficiency. This unit complies with environmental clean air regulations.

Models :

DDT 75& DDT 100





Theory of Operation

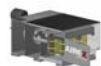
The Airex Industries self cleaning down draft table helps eliminate smoke and dust from the workers breathing zone. The work surface of the table uses a high face velocity of downward air to pull debris and pollutants away from the worker and towards a set of highly efficient filters. The air is then filtered and returned to the shop. The self cleaning system can then be activated automatically or manually, using a blast of compressed air in the reverse direction to dislodge the debris. The solids are then collected in a dust drawer. Custom sizes are available upon request.

Applications

- Buffing;
- Grinding;
- Welding;
- Powder Mixing;
- Sanding;
- Deburring;
- Soldering;

Features

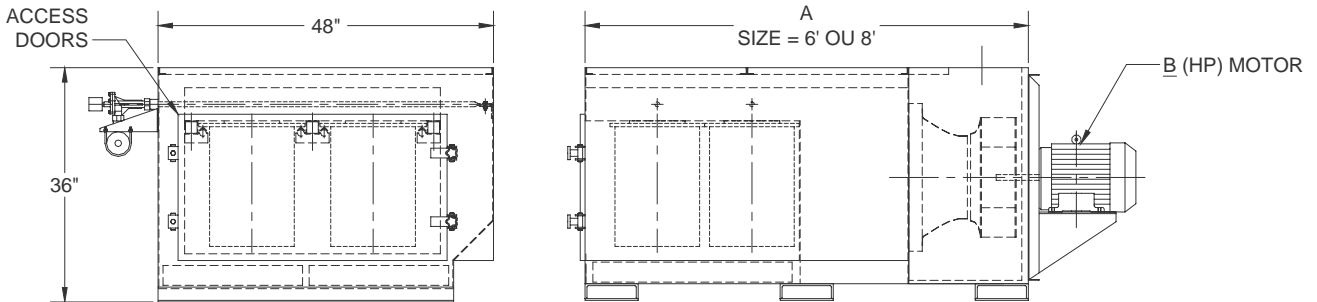
- Complies with Clean Air Regulations.
- High Efficiency Filtration 99% @ 1 micron.
- Non-Abrasive Grated Surface or Perforated Plate.
- Cam Shaft Cartridge Seal Mechanism & Side Access Door.
- (No tools required).
- Self Cleaning Reverse Pulse System.





Technical Data Sheet – Down Draft Table / DDT SERIES

Model	DDT 75	DDT 100
CFM	3 600	4 500
Face Velocity (F.P.M.)	225	187.5
Motor	7 ½ HP	10 HP
Fan Type	BI Wheel	BI Wheel
Self Cleaning	Reverse pulse Air	Reverse Pulse Air
Dimensions	(A) 6' x 4' x 3'	(A) 8' x 4' x 3'
Weight	550 lbs approx.	675 lbs approx.
Work Surface	4' x 4' Steel grating	6' x 4' Steel grating
Filters	cartridges	cartridges
Construction	12-14 gauge	12-14 gauge
Dust Drawer(s) capacity	2.5 ft. ³	3.8 ft. ³



In order to have our product meet the highest technological standards, we reserve the right to modify its specifications without notice.

HEAD OFFICE

8030, Metropolitan Blvd East
 Montreal (QC) H1K 1A1
 T : (514) 351-2303
 F : (514) 352-5891

ONTARIO DIVISION

6800, Kitimat Road, unit 32
 Mississauga (ON) L5N 5M1
 T : (905) 821-3674
 F : (905) 821-4857

PLANT

3025, Bernier Road
 Drummondville (QC) J2C 6Y4
 T : (819) 477-3030
 F : (819) 477-3437