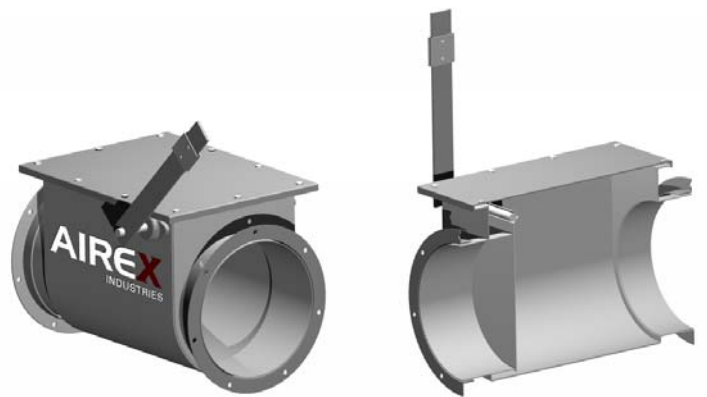
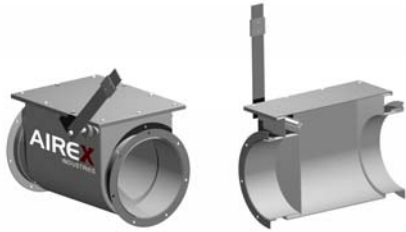


## BLOW BACK DAMPER





## *General Points*



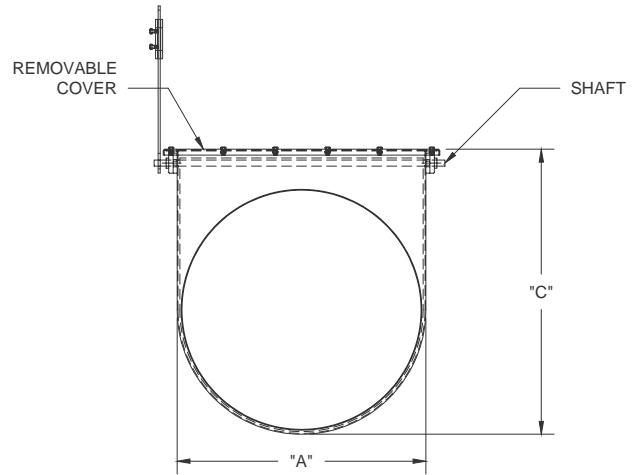
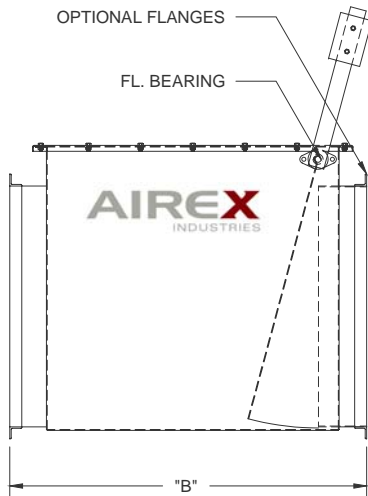
The Airex Industries line of blow back dampers range from 6" to 42". Blow back dampers are used on the inlet of hazardous collectors. A hinged door swings open under vacuum and drops closed via gravity when the blower is turned off. An adjustable counter balance arm aids in opening and closing the valve plate. This ensures no re-entrainment occurs when the blower is off. It also insures a seal if a fire occurs stopping the smoke form returning to the shop via the ductwork. Heavy duty construction. Custom sizes are available.





## Technical Data Sheet – Blow Back Damper

MODEL	A	B	C	Weight (lbs)
BL-6	7	19	9 ½	36
BL-7	8	20	10 ½	47
BL-8	9	21	11 ½	53
BL-9	10	22	12 ½	59
BL-10	11	23	13 ½	65
BL-11	12	24	14 ½	72
BL-12	13	25	15 ½	80
BL-13	14	26	16 ½	89
BL-14	15	27	17 ½	99
BL-15	16	28	18 ½	110
BL-16	17	29	19 ½	122
BL-17	18	30	20 ½	135
BL-18	19	31	21 ½	149
BL-19	20	32	22 ½	164
BL-20	21	33	23 ½	178
BL-21	22	34	24 ½	193
BL-22	23	35	25 ½	209
BL-23	24	36	26 ½	226
BL-24	25	37	27 ½	244
BL-25	26	38	28 ½	262
BL-26	27	39	29 ½	282
BL-27	28	40	30 ½	302
BL-28	29	41	31 ½	324
BL-29	30	42	32 ½	348
BL-30	31	43	33 ½	374
BL-32	33	45	35 ½	402
BL-34	35	47	37 ½	432
BL-36	37	49	39 ½	464
BL-38	39	51	41 ½	498
BL-40	41	53	43 ½	536
BL-42	43	55	45 ½	576



In order to have our product meet the highest technological standards, we reserve the right to modify its specifications without notice.

### HEAD OFFICE

8030, Metropolitan Blvd East  
 Montreal (QC) H1K 1A1  
 T : (514) 351-2303  
 F : (514) 352-5891

### ONTARIO DIVISION

6800, Kitimat Road, unit 32  
 Mississauga (ON) L5N 5M1  
 T : (905) 821-3674  
 F : (905) 821-4857

### PLANT

3025, Bernier Road  
 Drummondville (QC) J2C 6Y4  
 T : (819) 477-3030  
 F : (819) 477-3437