

AIREX

INDUSTRIES

8030 Boul. Metropolitan Est
Montreal, Quebec
H1K 1A1

T.514.351.2303
F.514.263.2303

1.800.263.2303

ADX SERIES

- ABORT DAMPER

ADX SERIES

- ABORT DAMPER

YOUR LAST LINE OF DEFENCE AGAINST FIRES
AND EXPLOSIONS BY AIREX INDUSTRIES.



AIREX ADX-26"
INDUSTRIES

GENERAL INFORMATION

The ADX Series of abort dampers by Airex Industries is the last line of defence against fires and explosions. They are used to divert, to expel air back into the atmosphere as soon as there is detection of sparks or flames and are usually installed on the return duct of a dust collection system which is channelling air back into a workshop.

In the woodworking industries, the paper industries, or wherever combustible materials are being conveyed pneumatically, fires and explosions can occur at any given moment. The ADX series by Airex Industries was designed for the added safety of all employees working in a shop floor.

ADVANTAGES

- Added safety for workers
- Helps reduce damage by preventing flames and smoke from spreading back into the workshop in case of a fire
- Helps conform to NFPA standards
- Meets OSHA requirements

ADX SERIES

- ABORT DAMPER

YOUR LAST LINE OF DEFENCE AGAINST FIRES
AND EXPLOSIONS BY AIREX INDUSTRIES.

THEORY OF OPERATION

HOW ABORT DAMPERS [ADX SERIES] WORK

Connected with a proper spark or fire detection system, the abort damper expels the air into the sky as soon as an anomaly is detected; at the sign of a spark or flame, a signal is sent to an electrical controller that releases the hinged trap door which, once dropped, will deflect everything outside, towards the atmosphere. This effectively prevents fire and smoke from spreading inwards into the workshop and limits any more possible damage.

SELECTION CRITERIA

Selection criteria for an abort damper:

- Return Air Volume

CHARACTERISTICS AND OPTIONS

APPLICATIONS

- Explosive Dust Collectors
- Fire Hazardous Dust Collectors

STANDARD CHARACTERISTICS

- Ranges in sizes from 11" to 50"
- Electronically controlled hinged drop plate
- 12 gauge industrial steel construction

OPTIONS

- No options are currently available for the ADX Series

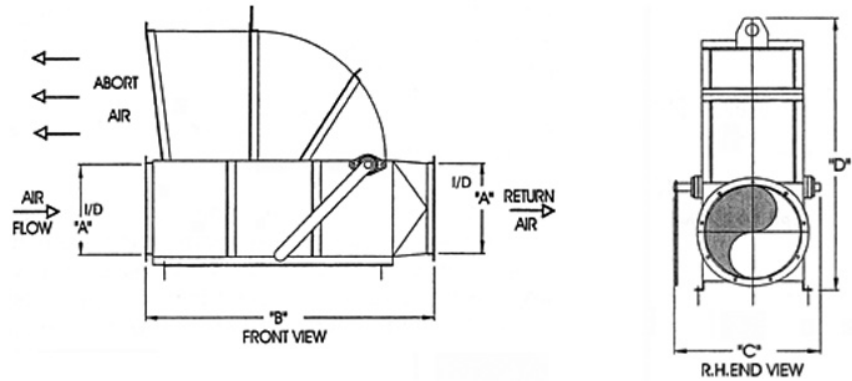
ADX SERIES

YOUR LAST LINE OF DEFENCE AGAINST FIRES AND EXPLOSIONS BY AIREX INDUSTRIES.

- ABORT DAMPER

TECHNICAL DATA SHEET

ADX SERIES - ABORT DAMPER



| A Abort Damper Size * | B Overall Length (Inches) | C Overall Width (Inches) | D Overall Height (Inches) | Approx. Weight (lbs.) |
|--------------------------------|------------------------------------|-----------------------------------|------------------------------------|-----------------------------|
| 11 | 43 | 20 1/2 | 37 3/4 | 195 |
| 13 | 47 | 22 1/2 | 41 3/4 | 240 |
| 15 | 50 | 24 1/2 | 44 3/4 | 290 |
| 17 | 54 | 26 1/2 | 49 1/4 | 350 |
| 19 | 57 | 26 1/4 | 51 1/4 | 425 |
| 21 | 62 | 28 1/4 | 57 1/4 | 480 |
| 23 | 67 | 30 1/4 | 61 1/4 | 545 |
| 26 | 74 | 35 1/4 | 66 1/4 | 710 |
| 29 | 81 | 38 1/4 | 72 1/4 | 825 |
| 33 | 91 | 42 1/4 | 80 1/4 | 1010 |
| 38 | 97 | 47 1/4 | 89 1/4 | 1150 |
| 42 | 104 | 51 1/4 | 97 1/4 | 1350 |
| 46 | 110 | 55 1/4 | 105 1/4 | 1480 |
| 48 | 107 | 58 1/2 | 114 1/4 | 1545 |