

ROTARY AIR LOCK





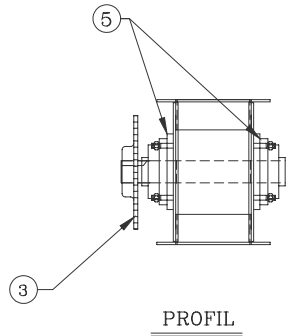
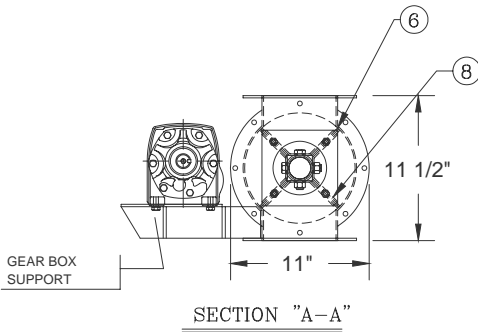
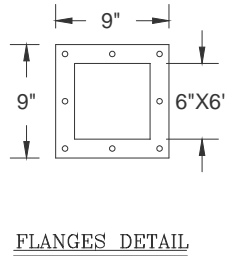
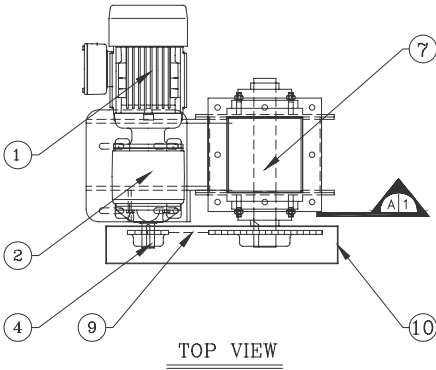
General Points

The Airex Industries line of rotary air locks are design to control the flow of discharge material from a dust collector or other type of process by maintaining an air seal. A motor driven paddle wheel rotates material from the top of the housing to the bottom. These units come complete with a TEFC motor (575/480/240V), all gears, covers, flaps, chain, gear box, support, and protective guard. Standard size are 6", 10", 15" & 20". Capacities range from 20 to 104 cubic feet per minute.





Technical Data Sheet – RALOX 6'' X 6''



PARTS	
①	1 HP MOTOR
②	MOTOR REDUCER
③	DRIVE PULLEY
④	MOTOR PULLEY
⑤	FLANG BEARING
⑥	WIPERS (SEAL)
⑦	DRIVE SHAFT
⑧	PODDLE WHEEL
⑨	CHAIN
⑩	OSHA GUARD

In order to have our product meet the highest technological standards, we reserve the right to modify its specifications without notice.

HEAD OFFICE

8030, Metropolitan Blvd East
 Montreal (QC) H1K 1A1
 T : (514) 351-2303
 F : (514) 352-5891

ONTARIO DIVISION

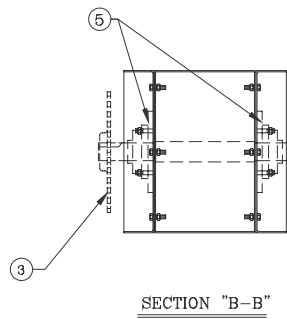
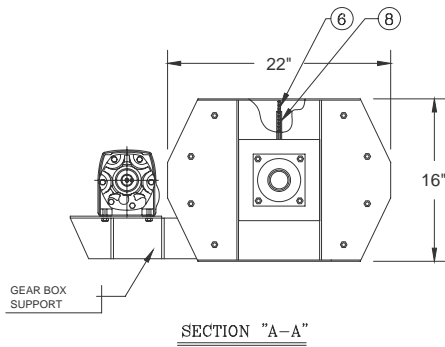
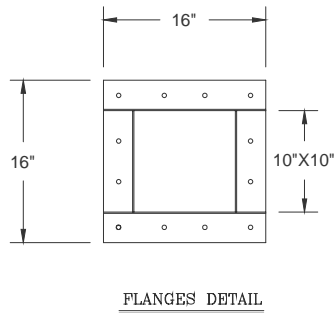
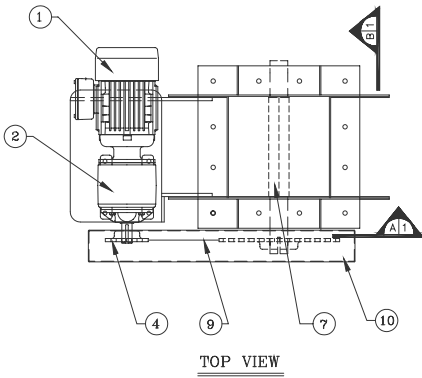
6800, Kitimat Road, unit 32
 Mississauga (ON) L5N 5M1
 T : (905) 821-3674
 F : (905) 821-4857

PLANT

3025, Bernier Road
 Drummondville (QC) J2C 6Y4
 T : (819) 477-3030
 F : (819) 477-3437



Technical Data Sheet – RALOX 10" X 10"



PARTS	
①	1 HP MOTOR
②	MOTOR REDUCER
③	DRIVE PULLEY
④	MOTOR PULLEY
⑤	FLANG BEARING
⑥	WIPERS (SEAL)
⑦	DRIVE SHAFT
⑧	PODDLE WHEEL
⑨	CHAIN
⑩	OSHA GUARD

In order to have our product meet the highest technological standards, we reserve the right to modify its specifications without notice.

HEAD OFFICE

8030, Metropolitan Blvd East
 Montreal (QC) H1K 1A1
 T : (514) 351-2303
 F : (514) 352-5891

ONTARIO DIVISION

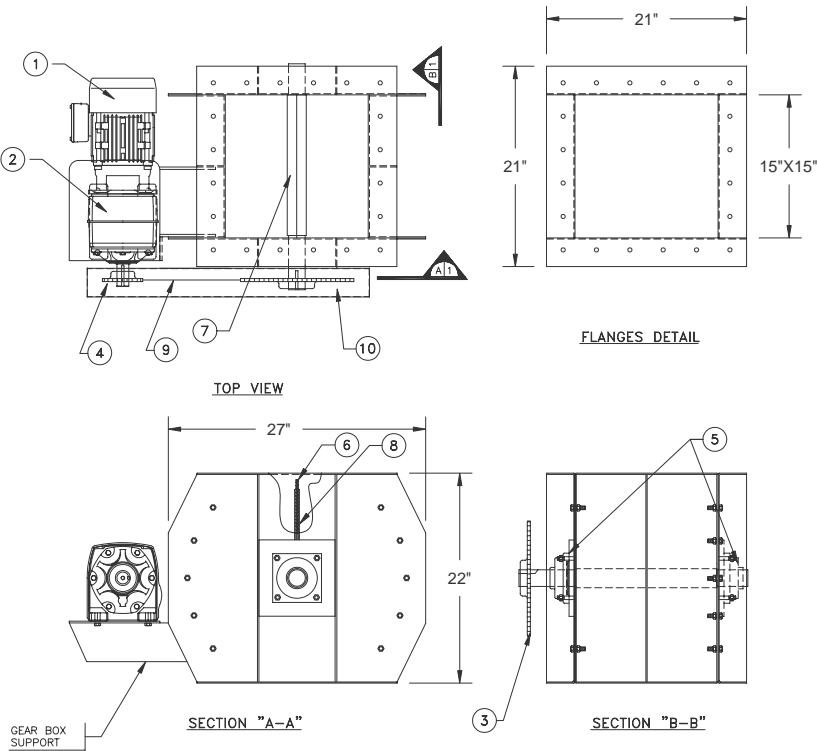
6800, Kitimat Road, unit 32
 Mississauga (ON) L5N 5M1
 T : (905) 821-3674
 F : (905) 821-4857

PLANT

3025, Bernier Road
 Drummondville (QC) J2C 6Y4
 T : (819) 477-3030
 F : (819) 477-3437



Technical Data Sheet – RALOX 15” X 15”



PARTS	
①	1.5 HP MOTOR
②	MOTOR REDUCER
③	DRIVE PULLEY
④	MOTOR PULLEY
⑤	FLANG BEARING
⑥	WIPERS (SEAL)
⑦	DRIVE SHAFT
⑧	PODDLE WHEEL
⑨	CHAIN
⑩	OSHA GUARD

In order to have our product meet the highest technological standards, we reserve the right to modify its specifications without notice.

HEAD OFFICE

8030, Metropolitan Blvd East
 Montreal (QC) H1K 1A1
 T : (514) 351-2303
 F : (514) 352-5891

ONTARIO DIVISION

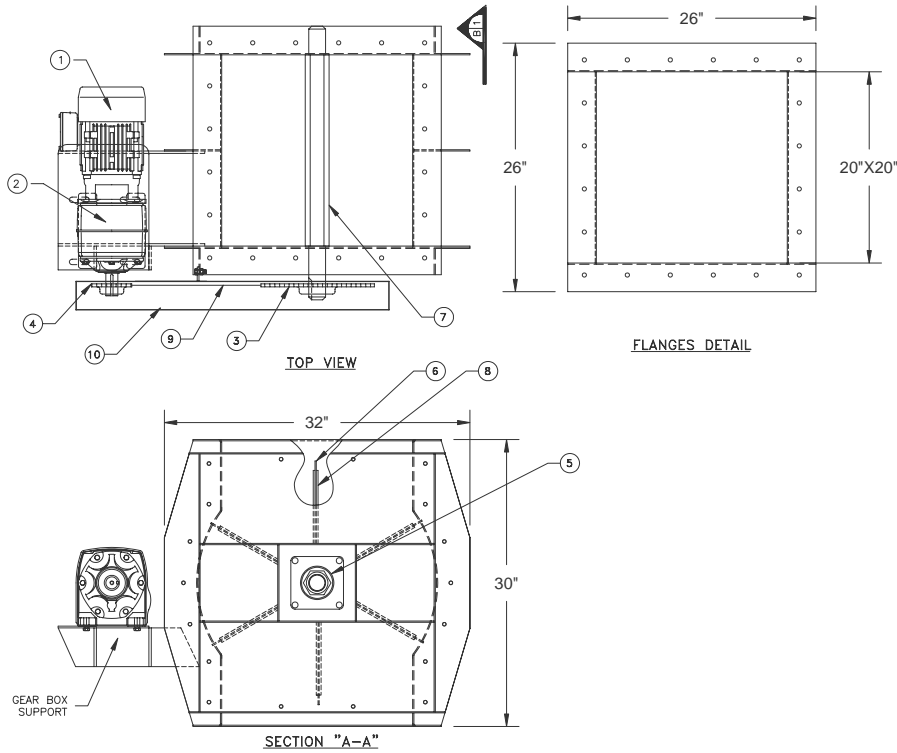
6800, Kitimat Road, unit 32
 Mississauga (ON) L5N 5M1
 T : (905) 821-3674
 F : (905) 821-4857

PLANT

3025, Bernier Road
 Drummondville (QC) J2C 6Y4
 T : (819) 477-3030
 F : (819) 477-3437



Technical Data Sheet – RALOX 20'' X 20''



PARTS	
①	2 HP MOTOR
②	MOTOR REDUCER
③	DRIVE PULLEY
④	MOTOR PULLEY
⑤	FLANG BEARING
⑥	WIPERS (SEAL)
⑦	DRIVE SHAFT
⑧	PODDLE WHEEL
⑨	CHAIN
⑩	OSHA GUARD

In order to have our product meet the highest technological standards, we reserve the right to modify its specifications without notice.

HEAD OFFICE

8030, Metropolitan Blvd East
 Montreal (QC) H1K 1A1
 T : (514) 351-2303
 F : (514) 352-5891

ONTARIO DIVISION

6800, Kitimat Road, unit 32
 Mississauga (ON) L5N 5M1
 T : (905) 821-3674
 F : (905) 821-4857

PLANT

3025, Bernier Road
 Drummondville (QC) J2C 6Y4
 T : (819) 477-3030
 F : (819) 477-3437